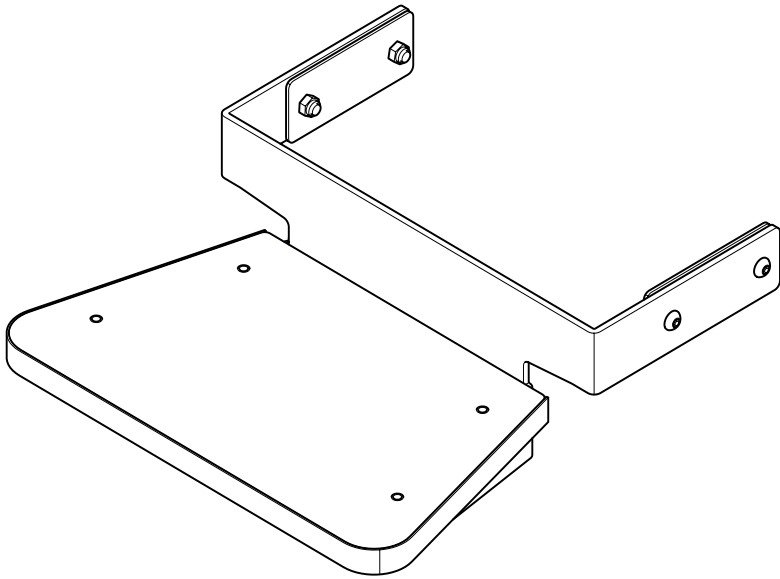


# Installation Guide

**SPSK512**

**SCO Kiosk front shelf**



**CAUTION**

This product is intended for indoor use only.

If these installation instructions are not followed correctly, it could lead to product failure and potential personal injury.

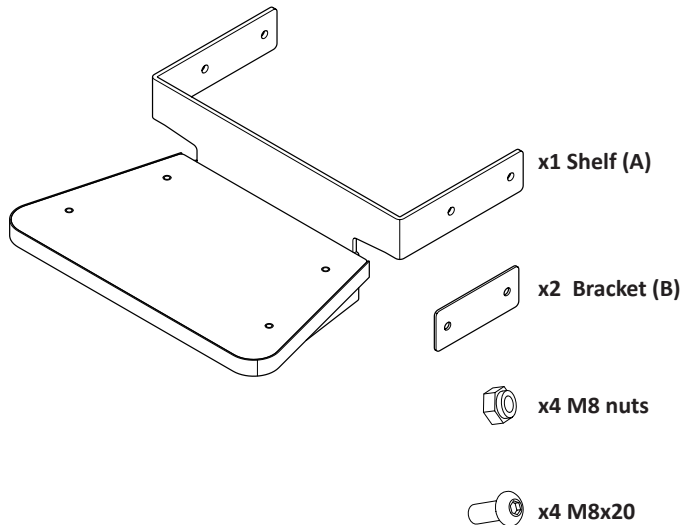
Ergonomic Solutions/SpacePole cannot be held responsible for any failure or injury, if the installation instructions are not followed correctly.

Max weight on each shelf: 30 kg.

**Tool list**

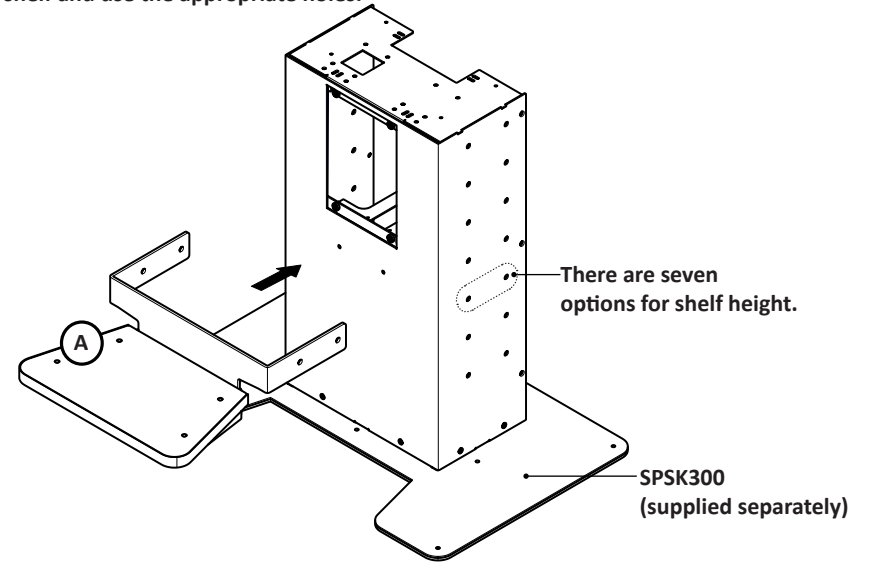


**Box content**



**1 Mount shelf on floorstand**

Before mounting decide the height of the shelf and use the appropriate holes.



**2 Secure shelf with screws and nuts x2**

Note: Use same procedure for both right and left side.

